

# DHI-ASGG100BL

## Dahua Tripod Turnstile



- The cabinet has a thickness of 0.8 mm and was developed using a specialized powder coating process that is compatible with cold plates.
- The arm automatically falls during a fire and power failure. (When the arm falls, the turnstile arm must be pushed down and then lifted up again).
- MCBF (Mean Cycles between Failures) is no less than 2 million times.
- Built-in anti-tailing system.
- Automatically closes when left open for too long.
- Features 4 modes for entry and exit including controlled and free. Combine these modes for more options.

### Series Overview

The Tripod Turnstile is used to help manage and regulate the people that access an area. It records data on people who enter and exit, and supports unlocking through multiple methods. This turnstile is ideal for use in office buildings, commercial compounds, hospitals, construction sites, tourist attractions, and more.

### Scene

Suitable for use in a variety of scenes such as residential areas, schools, government buildings, factories, buildings in compounds and more.

### Technical Specification

System	
Main Processor	Embedded Processor
Basic	
Product Type	Tripod turnstile
Status Indicator Light	Solid red: Authorization mode on standby Solid green: Unidirectional mode Flashes green: Bi-directional mode
Casing Material	Cold plate
Performance	
MCBF	≥2 million times
Max Custom Passage Width	Stainless steel: 600 mm
Passing Speed	20–30 people per min (this is affected by the people who enter and the passing mode).
Unlock/Lock Speed	≥0.7 sec

Cabinet Thickness	0.8 mm (0.03")
Top Cover Thickness	1.2 mm (0.05")
Frame Thickness	0.8 mm (0.03")
Barrier Material	Stainless steel
Type of Face Module Installation Hole	Simple
Location of Face Module Installation Hole	Entry;Exit
Number of Face Module Installation Holes	0
Number of Access Controllers	0
Standard Height of Customized Barrier	Stainless steel: 824 mm

General	
Power Supply	24 VDC, 1.5 A
Vandal-proof Rating	IK06, IK08
Power Consumption	7.2 W, authorization is required for both entry and exit; 17 W, no authorization is required for both entry and exit
Product Dimensions	350 mm × 300 mm × 950 mm (13.78" × 11.81" × 37.40") (L × W × H)
Module Protruding Size	0 mm
Packaging Dimensions	1,037 mm × 697 mm × 443 mm (40.83" × 27.44" × 17.44") (L × W × H)
Gross Weight	17 kg (37.48 lb)
Operating Temperature	–25 °C to +70 °C (–13 °F to +158 °F)
Operating Humidity	5%–90% (RH), non-condensing

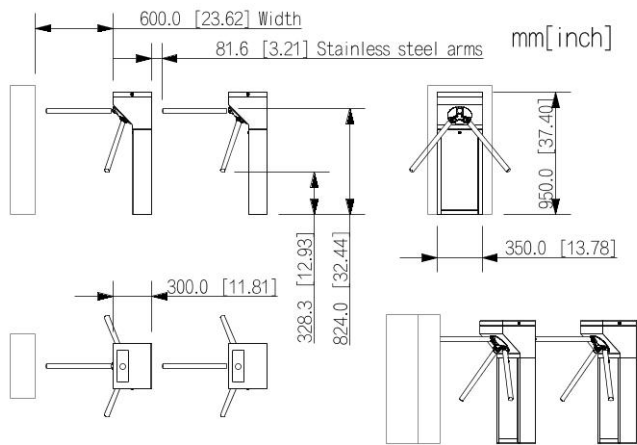
# Tripod Turnstile | DHI-ASGG100BL

Operating Environment	Indoor
Storage Temperature	0 °C to +40 °C (+32 °F to +104 °F)
Storage Humidity	30%-75%

## Ordering Information

Type	Model	Description
Tripod Turnstile	DHI-ASGG100BL	Dahua Tripod Turnstile

## Dimensions (mm[inch])



## Application

