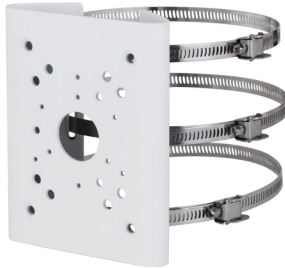


# DH-PFA5510

## Pole Mount Bracket



- Built to be elegant with SECC and SUS304 material.
- Suitable for a variety of vertical poles, especially those with large diameters.
- Includes a quick mounting buckle that is easy to install, reducing installation time.



### Series Overview

Dahua Mounting Bracket works with front-end services, supporting installation methods such as wall mount, pole mount, corner mount and in-ceiling mount. Select brackets are designed to suit complex scenes, making them convenient to use in environments with high temperatures, humidity, frequent vibrations, and in locations that are highly corrosive. These highly reliable brackets are easy to install and use.

### Scene

Ideal for mounting cameras, and works in temperatures ranging from  $-40^{\circ}\text{C}$  to  $+60^{\circ}\text{C}$  ( $-40^{\circ}\text{F}$  to  $+140^{\circ}\text{F}$ ) and in environments with a relative humidity of less than 90%.

### Technical Specification

#### Structure

Casing Material	SECC, SUS304
Product Dimensions	130.4 mm × 170.0 mm × 45.0 mm (5.13" × 6.69" × 1.77") (L × W × H)
Appearance Color	White
Net Weight	1.17 kg (2.58 lb)
Gross Weight	1.52 kg (3.35 lb)
Load Bearing	12.0 kg (26.46 lb)
Installation	Pole Mount
Pole Diameter	Φ60 mm–270 mm (Φ2.36"–10.63")
Applicable Model	Please see "Camera Accessories Selection"
Packaging Dimensions	239.0 mm × 164.0 mm × 191.0 mm (9.41" × 6.46" × 7.52") (L × W × H)

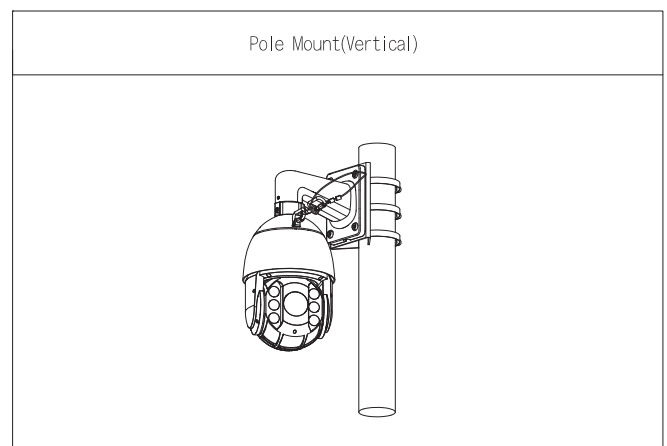
### Environment

Operating Temperature	$-40^{\circ}\text{C}$ to $+60^{\circ}\text{C}$ ( $-40^{\circ}\text{F}$ to $+140^{\circ}\text{F}$ )
Operating Humidity	<90% (RH)
Storage Temperature	$-40^{\circ}\text{C}$ to $+60^{\circ}\text{C}$ ( $-40^{\circ}\text{F}$ to $+140^{\circ}\text{F}$ )
Storage Humidity	10%–90% (RH)
Anti-corrosion Level	Basic Protection

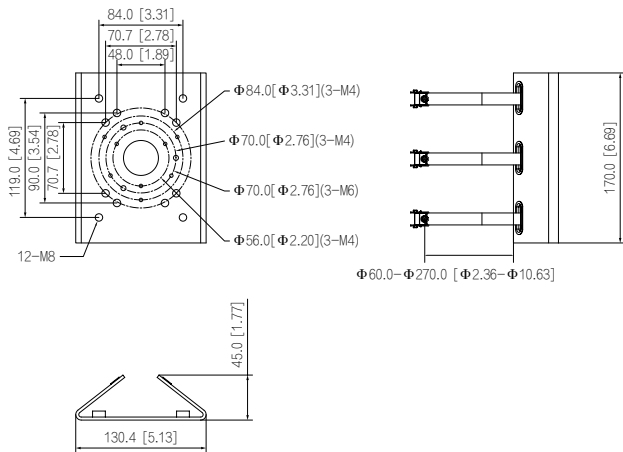
### Ordering Information

Type	Model	Description
Camera Mount	DH-PFA5510	Pole Mount Bracket

### Installation



## Dimensions (mm[inch])



## Package Information

- Pole Mount Bracket × 1
- M8×25 screw × 4
- M6×14 screw × 3
- 60-270mm metal hoop × 3
- S5.0 wrench × 1
- S6.0 wrench × 1
- Installation Guide × 1