

Technical Specification

Camera

Image Sensor	5 MP CMOS
Max. Resolution	2880 (H) × 1620 (V)
Scanning System	Progressive
Electronic Shutter Speed	PAL: 1/25 s–1/100,000 s NTSC: 1/30 s–1/100,000 s
Min. Illumination	0.01 lux@F1.6 (Color, 30 IRE) 0.001 lux@F1.6 (B/W, 30 IRE) 0 lux (Illuminator on)
S/N Ratio	>65 dB
Illumination Distance	IR: 40 m (131.23 ft) Warm light: 40 m (131.23 ft)
Illuminator On/Off Control	Auto;Manual
Illuminator Number	4 (Multi-core light)
Angle Adjustment	Pan: 0°–360° Tilt: 0°–90° Rotation: 0°–360°

Lens

Lens Type	Fixed-focal
Auto Focus	No
Lens Mount	M12
Focal Length	3.6 mm; 2.8 mm
Max. Aperture	F1.6
Field of View	2.8 mm: H: 113.3°; V: 62.1°; D: 134.3° 3.6 mm: H: 90.1°; V: 47.8°; D: 109.3°
Iris Control	Fixed
Close Focus Distance	2.8 mm: 0.8 m (2.62 ft) 3.6 mm: 1.3 m (4.27 ft)

DORI Distance	Lens	Detect	Observe	Recognize	Identify
	2.8 mm	59.8 m (196.19 ft)	23.9 m (78.41 ft)	12.0 m (39.37 ft)	6.0 m (19.69 ft)
	3.6 mm	77 m (252.62 ft)	30.8 m (101.05 ft)	15.4 m (50.52 ft)	7.7 m (25.26 ft)

*DORI (Detect, Observe, Recognize, Identify) is a standard system (EN-62676-4) for defining the ability of a person viewing the video to distinguish persons or objects within a covered area. The numbers in this table do not reflect intelligent function distances. For intelligent function distances, refer to installation and commissioning manual/project design tool.

Video

Video Frame Rate	CVI: PAL: 5M@25 fps; 5M@12.5 fps; 4M@25 fps; 1080p@25 fps NTSC: 5M@25 fps; 5M@20 fps; 5M@10 fps; 4M@30 fps; 1080p@30 fps AHD: PAL: 4M@25 fps NTSC: 4M@30 fps TVI: PAL: 5M 16:9@20 fps NTSC: 5M 16:9@20 fps
------------------	---

Video Frame Rate	CVBS: PAL: 960H NTSC: 960H
Resolution	5M (2880 × 1620); 4M (2560 × 1440); 1080p (1920 × 1080); 720p (1280 × 720); TVI 5M 16:9 (2960 × 1665)
Day/Night	Auto(ICR)/Color/B/W
BLC	BLC; HLC; WDR
WDR	DWDR
White Balance	Auto;Area white balance
Gain Control	Auto/Manual
Noise Reduction	3D NR
Illumination Mode	Smart IR&WL (CVI, TVI); WL Mode; IR Mode
Mirror	Yes
Privacy Masking	Off/On (8 areas, rectangle)

Certification

Certifications	CE-LVD: EN 62368-1; CE-EMC: EN 55032; EN 55035;
----------------	--

Audio

Built-in Mic	Yes
Camera Audio	CVI; TVI
Pick-up Distance	8 m (26.25 ft)
Two-way Talk	Yes (CVI, TVI)
Speaker	Yes
Speaker Distance	8 m (26.25 ft)

Port

Video Output	Video output choices of CVI/TVI/AHD/CVBS by one BNC port (DIP Switch)
--------------	---

Power

Power Supply	12 VDC (±30%)
Power Consumption	Max 9.5 W (12 VDC, WLED on)

Environment

Operating Temperature	–40 °C to +60 °C (–40 °F to +140 °F)
Operating Humidity	<95% (RH), non-condensing
Storage Temperature	–40 °C to +60 °C (–40 °F to +140 °F)
Storage Humidity	<95% (RH), non-condensing
Protection	IP67
Anti-corrosion Level	Basic Protection

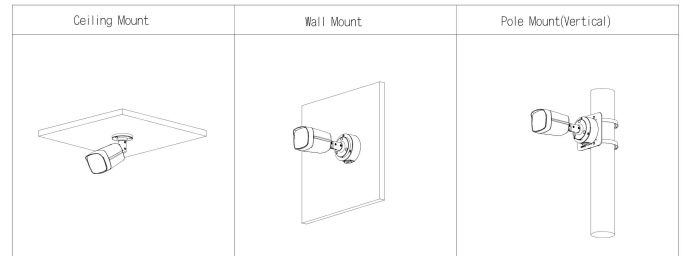
Structure

Casing Material	Metal front cover + plastic rear barrel + metal bracket
Product Dimensions	198.4 mm × 80.2 mm × 76.2 mm (7.81" × 3.16" × 3.00") (L × W × H)
Net Weight	0.34 kg (0.75 lb)
Gross Weight	0.45 kg (0.99 lb)

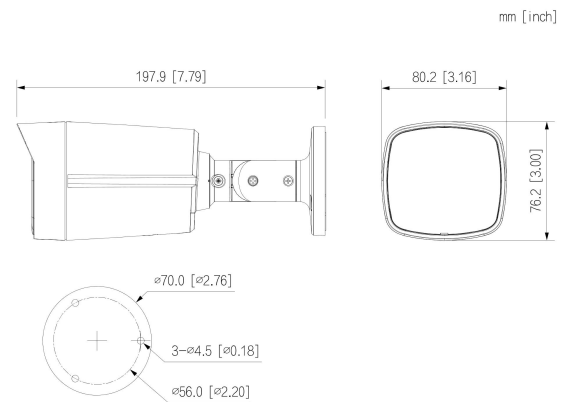
Installation	Wall mount; ceiling mount; vertical pole mount
--------------	--

Ordering Information

Type	Model	Description
HDCVI CAMERA	DH-HAC-HFW1500TLMN-IL-T	5MP Smart Dual Light HDCVI Two-way Talk Fixed-focal Bullet Camera,NTSC
	DH-HAC-HFW1500TLM-IL-T	5MP Smart Dual Light HDCVI Two-way Talk Fixed-focal Bullet Camera,PAL
Accessories (Optional)	G3416GW	G3/4" Water Joint
	DH-PFA130-E	Water-proof Junction Box
	DH-PFA151	Corner Mount Bracket
	DH-PFA157	Pole Mount Bracket
	DH-PFA134	Junction Box
	DH-PFM800-4K	1 Channel Passive HDCVI Balun
	DH-PFM321-EN	DC12V1A power adapter
	DH-PFM320D-EN	DC12V2A power adapter
PFM904	Integrated Mount Tester	



Dimensions (mm[inch])



Accessories

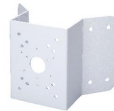
Optional:



DH-PFA130-E
Water-proof Junction Box



DH-PFA134
Junction Box



DH-PFA151
Corner Mount Bracket



DH-PFA157
Pole Mount Bracket



DH-PFM320D-EN
DC12V2A power adapter



DH-PFM321-EN
DC12V1A power adapter



DH-PFM800-4K
1 Channel Passive HDCVI
Balun



PFM904
Integrated Mount Tester

G3416GW
G3/4" Water Joint