

Technical Specification

Camera

| | |
|----------------------------|---|
| Image Sensor | 5 MP CMOS |
| Max. Resolution | 2880 (H) × 1620 (V) |
| Scanning System | Progressive |
| Electronic Shutter Speed | PAL: 1/25 s–1/100,000 s NTSC: 1/30 s–1/100,000 s |
| Min. Illumination | 0.0001 lux@F1.0 (Color, 30 IRE) 0 lux (Illuminator on) |
| S/N Ratio | >65 dB |
| Illumination Distance | Warm light: 50 m (164.04 ft) |
| Illuminator On/Off Control | Auto/Manual |
| Illuminator Number | 4 (Warm light) |
| Angle Adjustment | Pan: 0°–360° Tilt: 0°–78° Rotation: 0°–360° |

Lens

| | |
|----------------------|---|
| Lens Type | Fixed-focal |
| Lens Mount | M12 |
| Focal Length | 2.8 mm; 3.6 mm |
| Max. Aperture | F1.0 |
| Field of View | 2.8 mm: H: 109.6°; V: 57.5°; D: 131° 3.6 mm: H: 88.2°; V: 47.6°; D: 104.5° |
| Iris Control | Fixed |
| Close Focus Distance | 2.8 mm: 2.0 m (6.56 ft) 3.6 mm: 3.0 m (9.84 ft) |

| DORI Distance | Lens | Detect | Observe | Recognize | Identify |
|---------------|--------|------------------------|------------------------|-----------------------|----------------------|
| | 2.8 mm | 66.0 m (216.65 ft) | 26.4 m (86.61 ft) | 13.2 m (43.31 ft) | 6.6 m (21.65 ft) |
| | 3.6 mm | 78.0 m (255.91 ft) | 31.2 m (102.36 ft) | 15.6 m (51.18 ft) | 7.8 m (25.59 ft) |

*DORI (Detect, Observe, Recognize, Identify) is a standard system (EN-62676-4) for defining the ability of a person viewing the video to distinguish persons or objects within a covered area. The numbers in this table do not reflect intelligent function distances. For intelligent function distances, refer to installation and commissioning manual/project design tool.

Video

| | |
|------------------|---|
| Video Frame Rate | CVI: PAL: 5M@25 fps; 5M@12.5 fps; NTSC: 5M@25 fps; 5M@10 fps; AHD: PAL: 4M@25 fps NTSC: 4M@30 fps TVI: PAL: 5M@20 fps NTSC: 5M@20 fps CVBS: PAL: 960H NTSC: 960H |
| Resolution | 5M (2880 × 1620); 4M (2560 × 1440); 960H (960 × 576/960 × 480); TVI 5M 16:9 (2960 × 1665) |

| | |
|-------------------|---|
| Day/Night | Color |
| WDR | 130 dB |
| White Balance | Auto |
| Gain Control | Auto |
| Noise Reduction | 3D NR |
| Motion Detection | Yes (It needs to be controlled through the XVR) |
| Illumination Mode | Smart Light |
| Mirror | Yes (It needs to be controlled through the XVR) |
| Privacy Masking | Yes (It needs to be controlled through the XVR) |

Certification

| | |
|----------------|--|
| Certifications | CE-LVD: EN 62368-1; CE-EMC: EN 55032; EN 55035; |
|----------------|--|

Audio

| | |
|------------------|------------------------|
| Built-in Mic | Yes, built-in dual Mic |
| Camera Audio | CVI |
| Pick-up Distance | 12 m (39.37 ft) |

Port

| | |
|--------------|---|
| Video Output | Video output choices of CVI/TVI/AHD/CVBS by one BNC port (DIP Switch) |
|--------------|---|

Power

| | |
|-------------------|----------------------------|
| Power Supply | 12 VDC (±30%) |
| Power Consumption | Max 5.8 W (12 VDC, LED on) |

Environment

| | |
|-----------------------|--------------------------------------|
| Operating Temperature | –40 °C to +60 °C (–40 °F to +140 °F) |
| Operating Humidity | <95% (RH), non-condensing |
| Storage Temperature | –40 °C to +60 °C (–40 °F to +140 °F) |
| Storage Humidity | <95% (RH), non-condensing |
| Protection | IP67 |
| Anti-corrosion Level | Basic Protection |

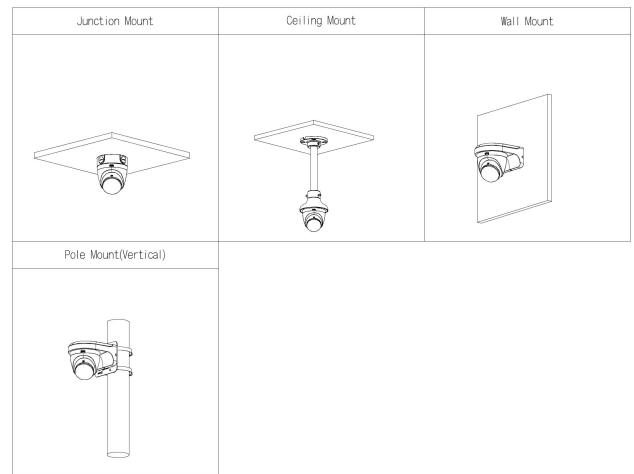
Structure

| | |
|--------------------|--|
| Casing Material | Dome (metal + plastic) + plastic enclosure |
| Product Dimensions | Φ109.9 mm × 102.2 mm (Φ4.33" × 4.02") |
| Net Weight | 0.33 kg (0.73 lb) |
| Gross Weight | 0.45 kg (0.99 lb) |
| Installation | Wall mount; ceiling mount; vertical pole mount |

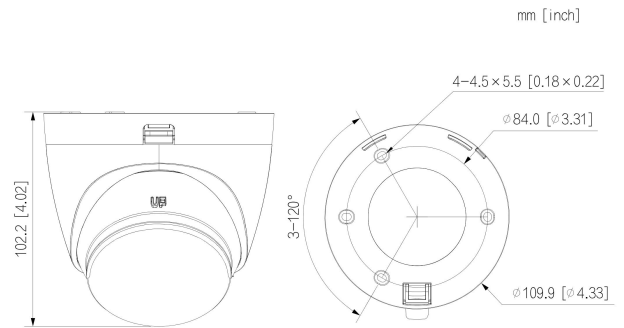
Ordering Information

| Type | Model | Description |
|--------------|------------------------|--|
| HDCVI CAMERA | DH-HAC-HDW1549XN-A-PRO | 5MP WizColor HDCVI Fixed-focal Eyeball Camera,NTSC |
| | DH-HAC-HDW1549XP-A-PRO | 5MP WizColor HDCVI Fixed-focal Eyeball Camera,PAL |

| Type | Model | Description |
|------------------------|---------------|-------------------------------|
| Accessories (Optional) | DH-PFA109 | Mount Adapter |
| | DH-PFB220C | Ceiling Mount Bracket |
| | DH-PFB305W | Wall Mount Bracket |
| | DH-PFA151 | Corner Mount Bracket |
| | DH-PFA150 | Pole Mount Bracket |
| | DH-PFB2203W | Wall Mount Bracket |
| | DH-PFA156 | Pole Mount Bracket |
| | DH-PFA13G | Junction Box |
| | DH-PFM800-4K | 1 Channel Passive HDCVI Balun |
| | DH-PFM321-EN | DC12V1A power adapter |
| | DH-PFM320D-EN | DC12V2A power adapter |
| | PFM904 | Integrated Mount Tester |



Dimensions (mm[inch])



Accessories

Optional:



DH-PFA109
Mount Adapter



DH-PFA13G
Junction Box



DH-PFA150
Pole Mount Bracket



DH-PFA151
Corner Mount Bracket



DH-PFA156
Pole Mount Bracket



DH-PFB2203W
Wall Mount Bracket



DH-PFB220C
Ceiling Mount Bracket



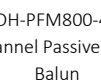
DH-PFB305W
Wall Mount Bracket



DH-PFM320D-EN
DC12V2A power adapter



DH-PFM321-EN
DC12V1A power adapter



DH-PFM800-4K
1 Channel Passive HDCVI
Balun



PFM904
Integrated Mount Tester