

# DH-PFB5310W

## Wall Mount Bracket



- Built of aluminum alloy and is cost-effective.
- Compact and sleek, it seamlessly integrates with small PTZ cameras.
- Lightweight, sturdy, and durable.



### Series Overview

Dahua Mounting Bracket works with front-end services, supporting installation methods such as wall mount, pole mount, corner mount and in-ceiling mount. Select brackets are designed to suit complex scenes, making them convenient to use in environments with high temperatures, humidity, frequent vibrations, and in locations that are highly corrosive. These highly reliable brackets are easy to install and use.

### Scene

Ideal for mounting cameras, and works in temperatures ranging from  $-40\text{ }^{\circ}\text{C}$  to  $+60\text{ }^{\circ}\text{C}$  ( $-40\text{ }^{\circ}\text{F}$  to  $+140\text{ }^{\circ}\text{F}$ ) and in environments with a relative humidity of less than 90%.

### Technical Specification

#### Structure

Casing Material	Aluminum alloy
Product Dimensions	151.0 mm × 89.7 mm × 90.6 mm (5.94" × 3.53" × 3.57") (L × W × H)
Appearance Color	White
Net Weight	0.23 kg (0.51 lb)
Gross Weight	0.28 kg (0.62 lb)
Load Bearing	4.0 kg (8.82 lb)
Installation	Wall mount
Applicable Model	Please see "Camera Accessories Selection"
Packaging Dimensions	164.0 mm × 101.0 mm × 104.0 mm (6.46" × 3.98" × 4.09") (L × W × H)

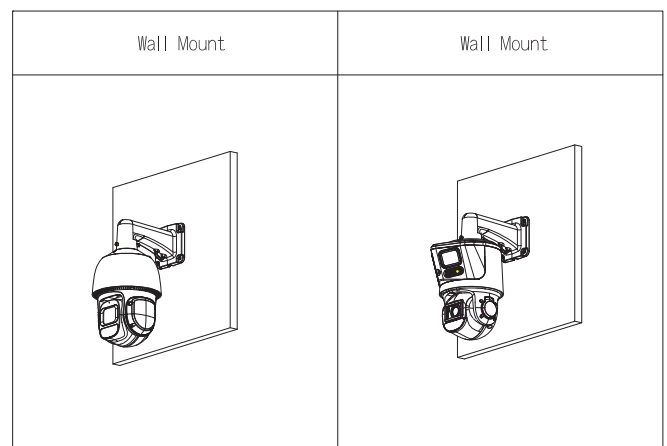
### Environment

Operating Temperature	$-40\text{ }^{\circ}\text{C}$ to $+60\text{ }^{\circ}\text{C}$ ( $-40\text{ }^{\circ}\text{F}$ to $+140\text{ }^{\circ}\text{F}$ )
Operating Humidity	<90% (RH)
Storage Temperature	$-40\text{ }^{\circ}\text{C}$ to $+60\text{ }^{\circ}\text{C}$ ( $-40\text{ }^{\circ}\text{F}$ to $+140\text{ }^{\circ}\text{F}$ )
Storage Humidity	10%–90% (RH)
Anti-corrosion Level	Basic Protection

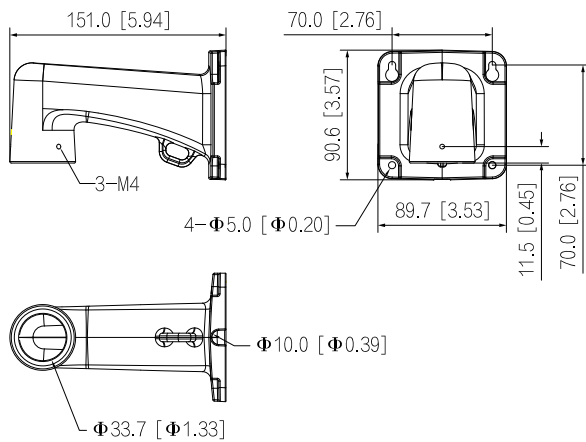
### Ordering Information

Type	Model	Description
Camera Mount	DH-PFB5310W	Wall Mount Bracket

### Installation



## Dimensions (mm[inch])



## Package Information

- Wall mount bracket × 1
- S3.0 wrench × 1
- Mounting sticker × 1
- ST4×25 screw × 4
- Plastic expansion bolt × 4